

E10

EN

Powerful and connected,
for first-class sterilisation



Euronda[®]
Pro System

E10

Powerful and connected,
for first-class sterilisation



After years of research, we have developed an autoclave that combines all of the most important characteristics for clinics worldwide: performance, efficiency, functionality and design. E10 offers better performance in less time. It guarantees exceptional drying and minimizes water and energy consumption. It is not only attractive and quiet (< 50 dB) but also intelligent: innovative technology makes E10 a simple, intuitive autoclave that can cater to the everyday needs of every clinic.



Performance

The top Euronda sterilization system is powerful, it guarantees excellent drying and it is eco-friendly.



Innovation

The new E-Touch, E-Light, E-Timer, E-Help and E-Backup systems put technology at people's service.



Design

E10's sophisticated, contemporary design brings aesthetic to a new stage.



Ergonomics

Increasingly user-friendly, with total harmony between the operator, the device and the working environment.



Traceability

The standard connectivity solutions and the print set options offer comprehensive, expandable traceability.



Safety

New systems guarantee exceptional sterilization quality at all times, from installation to maintenance.

A more powerful vacuum pump, a new instant steam generator and an optimized drying cycle make E10 the best performing Euronda sterilizer ever.



Performance

The best Euronda sterilization, how you want it

Best ever performance

Best ever performance: The vacuum pump is twice as powerful as the one in E9 and E8 autoclaves and the drying cycle is faster, making E10 the best performing Euronda sterilizer ever. The new steam generator instantly produces the steam for the sterilization chamber, optimizing the water consumption in accordance with the load, making further cuts to the sterilization time and actually improving the quality of the steam generated.

Customization

First and foremost, E10 is a Class B autoclave that can run five different type B cycles (121°C, 134°C, 134°C Prion, 134°C Rapid and 134°C Rapid Prion) in full compliance with EN 13060 standard, as well as three test cycles (Vacuum, Helix, and Bowie and Dick). In addition, thanks to the password-activated Personal functions, it is also possible to run Light cycles (type N cycles - N134 and N121) and Light & Stock cycles (type S cycles - S134 and S121).

Eco-Friendly

Fast and efficient at the same time. The Euronda Pro System technology assesses the actual size of each load and adapts the sterilization settings to guarantee savings in terms of water, energy and time.

E10's polished, contemporary design is so attractive that you can proudly put it on display. A unique touch is added by the front of the device, which comes in an anthracite tone and takes autoclave aesthetics to a new level with its bold style. The 4" colour touch-screen display and the innovative coloured LEDs of the E-Light system give it a distinctive splash of colour. Every last detail of E10 was conceived to make it attractive and practical at the same time.

Euronda
Pro System

E10



Design

A new dimension in aesthetic appeal



+ **Sophisticated**

Solid, compact forms come together in a sophisticated, contemporary design with an anthracite front that adds a bold touch. It is so attractive that you can proudly put it on display.

+ **Futuristic**

E10 has a futuristic feel thanks to the stunning colour on the cutting-edge 4" touch-screen display and the LED lighting system in the handle compartment.

+ **Practical design**

Even the most functional features of E10 are designed to be not only attractive but also practical and effective.

Innovation

Technology at people's service



E-Touch

Users can instantly take control thanks to the extremely user-friendly, cutting-edge 4" colour touch screen display, which features a new set of clear, simple icons. The user interface has been specially designed to make everyday tasks faster and more efficient for the operator.



E-Help

This innovative guidance system helps operators to choose the right cycle for the instruments that they want to sterilize. Consequently, assistants can rest assured that they are selecting the most suitable cycle and there is no risk of making mistakes.



E-Light

As well as adding visual appeal and helping to highlight the handle, the extremely useful, LED-based E-Light “luminous progress bar” in the handle compartment changes colour as it moves through the different stages of the sterilization cycle, providing you with valuable information at a glance.

Green light

End cycle, load sterile

Yellow light

End cycle, load wet for prompt use

Red light

Load not sterile



E-Timer

Make the most of your time! Thanks to the innovative E-Timer, you can set tests and sterilization cycles to start at whatever time you like, allowing you to save time and start the working day at full speed.

Traceability

A new comprehensive traceability system

E10 features a new comprehensive and expandable traceability system. Full details of all sterilization cycles can be saved on an SD Card and transferred to a computer with the standard Ethernet connection and WiFi (optional). If other devices from the Euronada Pro System (such as Eurosafe 60, Euromatic® and Euroseal® Valida) are connected to the computer, the whole sterilization process can be monitored, validated and traced automatically. The E-Data system can connect one or more autoclaves to your management software for even more effective tracing of all cycles. In addition, with three different types of built-in printers available, E10 caters to a range of needs and allows you to save time completely safely.



Print Set 1
Built-in thermal
paper printer



Print Set 2
Built-in adhesive
label printer



Print Set 3
External large-quantity
labels printer



Comprehensive traceability

Take your clinic into the future. You can connect a number of autoclaves and the other Pro System devices (Eurosafe 60, Euromatic® and Euroseal® Valida) to your management software, trace all data and attach the information to patient records. The E-Data software is available for both Windows and iOS and it is compatible with all of the top management systems on the market, such as Dios, Segosoft, Julie, Visident and Kodak.



Validation and load release

This function allows users to keep a digital record of the compliance of the sterilization process in both the loading phase and the unloading phase. The operator ensures that the pouches are dry and checks their integrity and the state of the instruments, while also making sure that the sterilization parameters are satisfactory.



Optional printers

E10's expandable traceability system caters to a range of needs, with a selection of three different optional printers. E10 can satisfy the traceability requirements of any practice and guarantee compliance with the legally established safety standards.

Ergonomics

Total harmony between operator, device and environment





Adaptable

Adapt your sterilization system to suit your working habits: choose freely between the 18 Litre and 24 litre versions of E10 in accordance with your practice's needs.



Inspection[®] System

The tank compartment access system is extremely quick and simple. The upper cover is made of an innovative engineering plastic. It is held in place by a magnetic system which makes it easy to open at any time and enables even less proficient people to clean it easily and frequently. This guarantees safe sterilization that remains consistently effective in the long term.

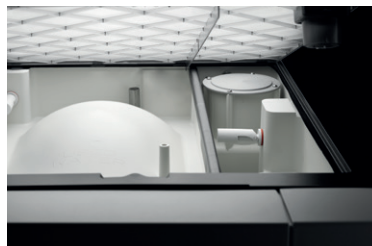


Modular structure

The side panels are made of cutting-edge materials and they are extremely easy to remove. In addition, the components inside the machine are easily accessible and positioned in a logical manner. This helps to make maintenance easier, faster and more effective.



Quick coupling
on the front of the machine



Tank compartment
access system

Safety

Guaranteed quality
throughout its working life





Conductivity meter

The built-in conductivity meter monitors water quality and, if it is not satisfactory, E10 informs the operator with special messages on the E-Touch display.



Dirt Control System

It is located in the hydraulic circuit and allows an exact separation of dirty and clean water. It makes the dirt easily flow in the used-water tank, so that the autoclave can work without problems.



Air-water separator

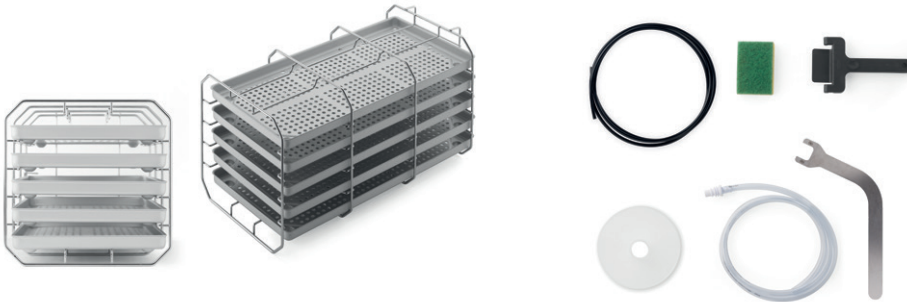
The air-water separator device, designed and built into the tank unit, is a real “life saver” for the vacuum pump. The pumps used on machines of this level are essential to achieve proper sterilisation, but are very delicate as they are in constant contact with flows containing high temperature steam, air, dirt and chemical waste from lubricating oils found on instruments being sterilised (wands, turbines). These streams are channelled into the separator device which separates the air from the other components before they enter the vacuum pump. This phase allows the pump to operate in ideal working conditions, preserving the efficiency of the device.



Support software

Euronda has developed a number of software applications to support technicians during the installation, diagnosis and maintenance processes. This helps to guarantee peak performance from E10 at all times while cutting assistance times and costs.

Starter kit included



Standard tray holder

Square profile steel tray holder with a capacity of five standard aluminium trays. If rotated by 90°, it can hold three sterilisation cassettes.

Dimensions (wxhxd):

186 x 22 x 379 mm

Five trays included

- Drainage pipes
- Sponge
- Tray removal handle
- Door adjustment handle
- Funnel
- Replacement bacteria filter

Tests



Helix Test

Test for Class B autoclaves to evaluate the capacity of penetration of the steam in hollow loads. Composed of a tube and 250 colour testers to confirm sterilization.

Single pack



Bowie & Dick Test

Test for Class B autoclaves to evaluate the penetration efficiency in porous loads.

Single pack
Carton of 10 pieces



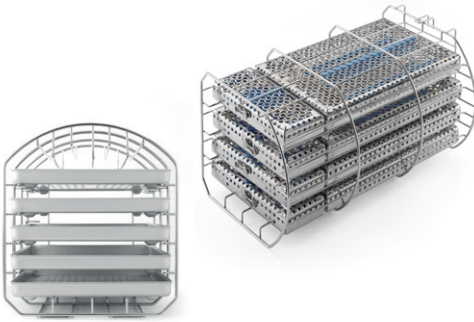
Prion Test

Test for Class B autoclaves, calibrated with the temperature, considered effective in 134°C Prion sterilization cycles (134°C x 18 minutes). Composed of 200 colour testers.

Single pack



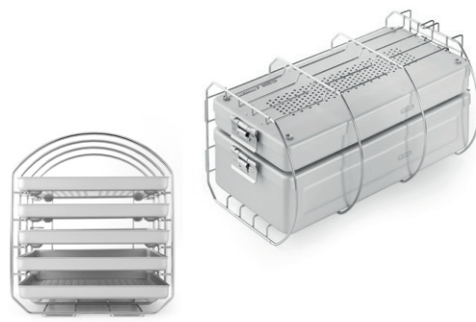
Optional tray holders



Tray holder for sterilisation cassettes

Rounded steel tray holder designed to hold five standard aluminium trays. If rotated by 90°, it can hold four sterilization cassettes. Capacity: four 1 DIN cassettes + four 1/4 DIN cassettes.

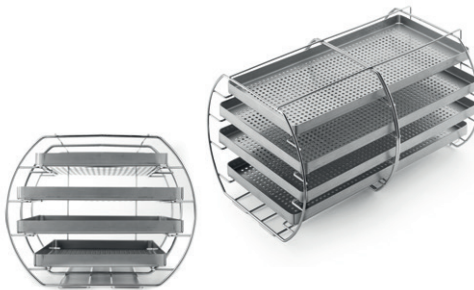
Trays not included



Tray holder for sterilisation container

Rounded steel tray holder designed to hold five standard aluminium trays. If rotated by 90°, it can hold one or more sterilisation containers. Max. capacity: 190 x 152 x 380 mm (wxhxd).

Trays not included



XL tray holder kit

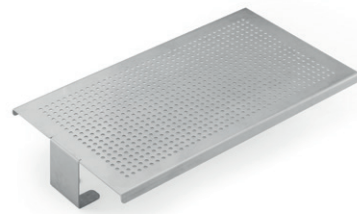
XL rounded steel tray holder, with a capacity of four special aluminium trays.

Trays dimensions (wxhxd):

175 x 17 x 380 mm (upper and lower tray)

220 x 17 x 380 mm (central tray)

Trays included in the kit



Universal support surface

A steel support surface that is suitable for loads with greater dimensions. It can be installed directly in the boiler, after removing the tray holder provided.

Dimensions (wxhxd):

194 x 53.5 x 350 mm - 24 L

194 x 53.5 x 250 mm - 18 L

Traceability and connectivity



Print Set 1

Built-in thermal paper printer for those who wish to print and store the results of the sterilization cycle on a paper copy. It can be installed on-board in a few simple steps on the front of the machine.



Print Set 2

Built-in adhesive labels printer: safely tag your load. Install this simple printer device on board in a few easy steps. Save space and conveniently print your labels and bar codes.



Print Set 3

External large-quantity labels printer for continuous production. Safely tag your load by connecting the printing device in a few easy steps. Can be used for both labels and bar codes.



E-WiFi

Optional WiFi kit for connecting E10 and E9 autoclaves or Euroseal® Valida thermosealer to a computer, tablet or smartphone. With E-WiFi, all data are always available and updated in the computerized sterilization log. E-Link software, included in the kit, can be easily installed into a Windows or iOS operating system and allows to control up to five Euronda devices equipped with E-WiFi kit.



E-Data & E-Memory software

E-Data software allows to link autoclaves and other Pro System Devices to your network system in order to have all the sterilization data available for your practice management software. E-Data is available for both Windows and iOS operating systems on the market, such as Dios, Segosoft, Julie, Visiodent and Kodak. E-Memory software manages the sterilization data on your computer. Thanks to this file management system you will have a complete and organized database of your sterilization process. Included in E10.

Sterilisation cycles

	B 134		B 121		
	Solid, porous and hollow, wrapped and unwrapped		Solid, porous and hollow, wrapped and unwrapped. Particularly indicated for plastics, turbines and handpieces		
	18 L	24 L	18 L	24 L	
Temperature	134° c	134° c	121° c	121° c	
Pressure	2.05 bar	2.05 bar	1.05 bar	1.05 bar	
Sterilization time	4'	4'	20'	20'	
Drying time	15'	15'	15'	15'	
Total time with standard loads*	21'	24'	39'	40'	
Maximum load solid/porous	4.5 Kg / 1.5 Kg	6 Kg / 2 Kg	4.5 Kg / 1.5 Kg	6 Kg / 2 Kg	

Personal functions

(Light** and Light&Stock cycles** can be activated on demand with a password)

	S 134		S 121		
	Sterilization of non-bagged or bagged solid products		Sterilization of non-bagged and plastic or bagged solid products		
	18 L	24 L	18 L	24 L	
Temperature	134°C	134°C	121°C	121°C	
Pressure	2.05 bar	2.05 bar	1.05 bar	1.05 bar	
Sterilization time	4'	4'	20'	20'	
Drying time	15'	15'	15'	15'	
Total time with standard loads*	17'	17'	29'	29'	
Maximum load solid	4.5 Kg	6 Kg	4.5 Kg	6 Kg	

* Times are intended without drying. The times have a tolerance of +-5%.

** All of the cycles are available unless it is not possible due to specific national legislation.

B 134 prion		B 134 - rapid		B 134 prion - rapid	
Prion cycle for wrapped and unwrapped solid, porous and hollow		Rapid cycle for wrapped and unwrapped solid, porous and hollow For 1 tray instruments		Rapid prion cycle for wrapped and unwrapped solid, porous and hollow For 1 tray instruments	
18 L	24 L	18 L	24 L	18 L	24 L
134° c	134° c	134° c	134° c	134° c	134° c
2.05 bar	2.05 bar	2.05 bar	2.05 bar	2.05 bar	2.05 bar
18'	18'	3'5"	3'5"	18'	18'
15'	15'	4'	4'	4'	4'
35'	37'	20'	23'	35'	37'
4.5 Kg / 1.5 Kg	6 Kg / 2 Kg	0.6 Kg / 0.2 Kg	0.6 Kg / 0.2 Kg	0.6 Kg / 0.2 Kg	0.6 Kg / 0.2 Kg

N 134		N 121	
Unwrapped solid instruments		Sterilization of non-bagged and plastic solid products	
18 L	24 L	18 L	24 L
134°C	134°C	121°C	121°C
2.05 bar	2.05 bar	1.05 bar	1.05 bar
4'	4'	20'	20'
4'	4'	4'	4'
18'	18'	33'	33'
4.5 Kg	6 Kg	4.5 Kg	6 Kg

Technical data

	E10 - 18 L	E10 - 24 L
Overall dimensions	460 x 455 x 610 mm (wxhxd)	
Weight (machine empty with basket)	47,5 Kg	50,5 Kg
Power supply	230 V 50/60 Hz	
Absorbed current	2300 W 10 A	
Operating temperature	+5 - +40°C	
Operating altitude	≤ 2000 m a.m.s.l *	
Minimum depth of the support surface	500 mm	
Minimum width of the support surface	460 mm	
Minimum space above the tank	0 mm leaving the loading cap free	
Noise level	50 dB	
Weight per support area (tank full and chamber with max. load)	47,5 + 8,5 + 4,5 = 60,5 Kg Load on each foot: 15,125 Kg	50,5 + 8,5 + 6 Kg = 65 Kg Load on each foot: 16,25 Kg
Operating range	Indoor use - Relative humidity 85% Maximum line-voltage deviation ±10% Installation category II - Pollution level 2	
Average water consumption per cycle	300 ml	
Tank capacity (clean water / used water)	5 / 3.5 litres	

* For altitudes higher than 2000m, please contact Euroonda SPA

Safety Device

- Overpressure protection
- Accidental door opening protections
- Process appraisal system
- Real-time self diagnostic system

Compliance with harmonised standards

EN 13060
EN 14971
EN 61010-1
EN 61010-2-040
EN 61326
EN 13445

Documentation

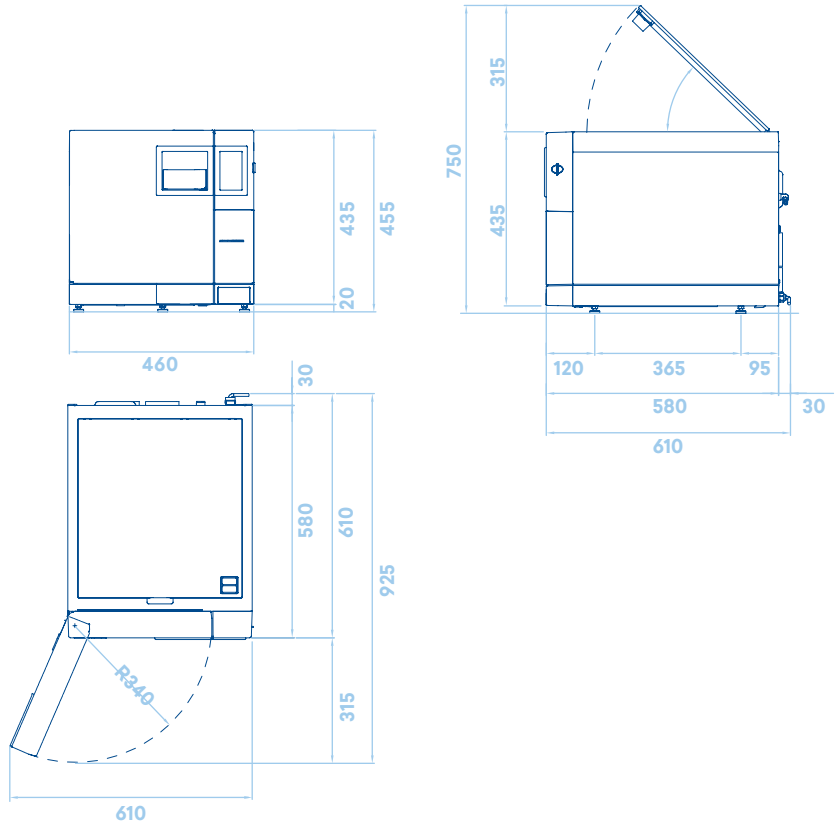
- User Manual
- Declaration of conformity chamber
- Declaration of conformity autoclave
- Warranty Certificate
- Installation chart
- Servicing handbook

Certification information

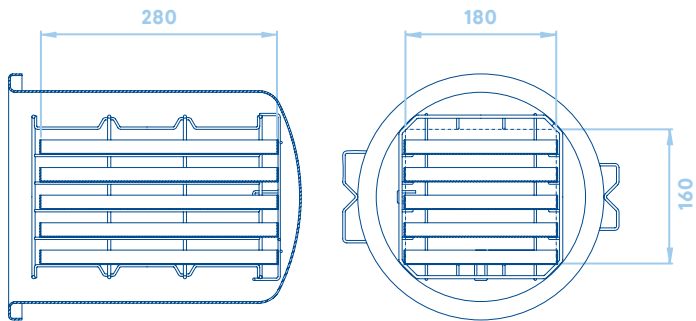
- E10 Autoclave compliant with Directive 93/42/EC and addenda.
- Class II b device
- Chamber compliant with PED Directive 2014/68/EC
- Company certification: ISO 9001, ISO 13485
- CE Type Ref: E10- 18 L, E10- 24 L

Technical Specifications

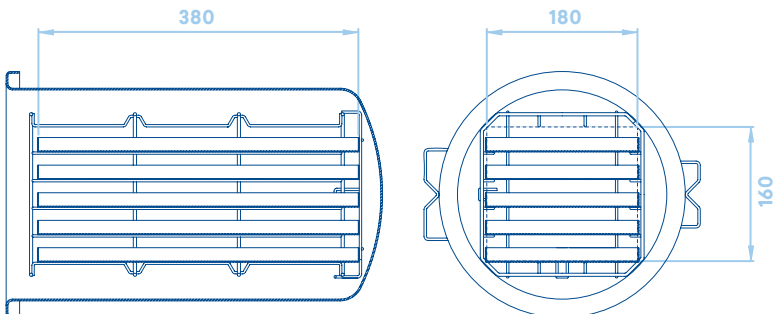
Overall required space (mm)



Sterilization chamber sizes (mm) E10 - 18 L



Sterilization chamber sizes (mm) E10 - 24 L



Euronda Spa

Via Chizzalunga 1
36066 Sandrigo
Vicenza, Italy

t (+39) 0444 656111
f (+39) 0444 656199
m info@euronda.com
www.euronda.com

Deutschland

Euronda Deutschland
Am Landwehrbach 5
48341 Altenberge, Deutschland

t (+49) 2505 9389 0
f (+49) 2505 9389 29
m info@euronda.de
www.euronda.de

France

Euronda France Eurl
ZAC les Vallées, Avenue de Bruxelles
60110 Amblainville, France

t + 33 (0) 3 44 06 69 70
f + 33 (0) 3 44 02 03 89
m info@euronda.fr
www.euronda.fr

España

Euronda - Identyd
Identyd, Calle Músico
Antonio Rodríguez de Hita, 12
Bajo, 30007 Murcia

t 900102034
m info@euronda.es
www.euronda.es

Russia

OOO Finstar
5/2a Varshavskaya str.
196128 St. Petersburg, Russia

t + 7 (812) 635 88 94
m info@finstartech.ru
www.euronda.com.ru

Euronda[®]



Marketed by:
Majac Medical Products Pty Ltd
Tel: 1300 138 578 * Int: +617 3265 6355
Email: sales@majacmedical.com.au
www.majacmedical.com.au